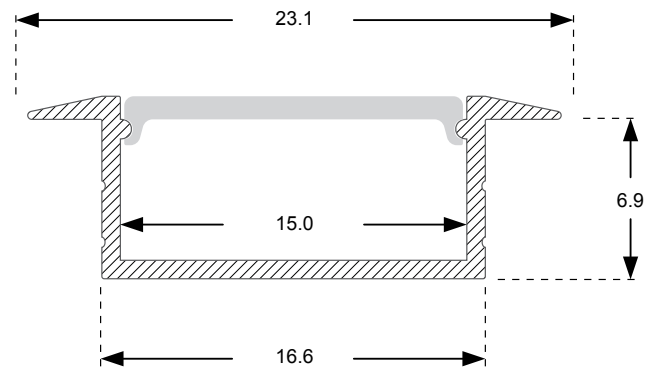


LED Strip Mounting Profile

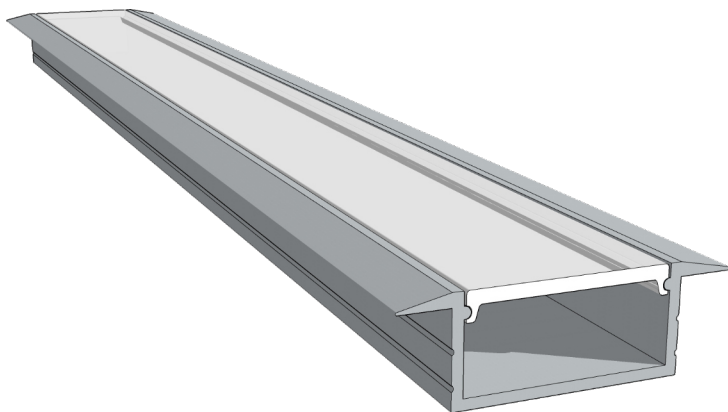
Mod Recess B

Features

- 16.6mm rectangle section, 6.9mm deep
- Mount Options: #Recess
- Diffuser Options: #Opal #Clear
- Available lengths: 2m
- Aluminium profile with snap-fit diffuser. Designed for mounting LED strip up to 15mm width.
- Channels on the sides of the profile allow you to clip the profile into metal clips.
- Plastic end caps come in pairs. One having a hole for the wires to pass through.

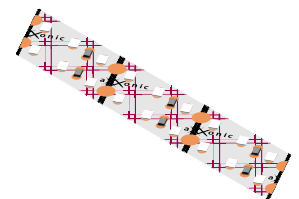


Technical

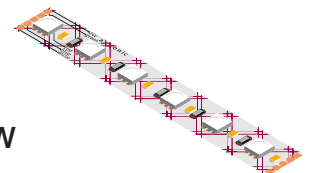


Recommended LED

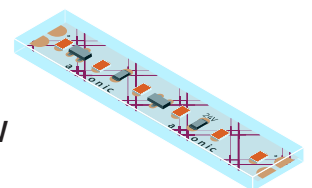
axl.fs12.dr300w-14W



axl.fs12.144rgbw-11W



axl.fs10.132w.ic-10W



axl . p 18rect 7 . s15 . rec

maker profile width (mm) profile depth (mm) mount option: recess

profile profile shape: rectangle max strip width (mm)

Note: Please quote the full product code while placing the order.