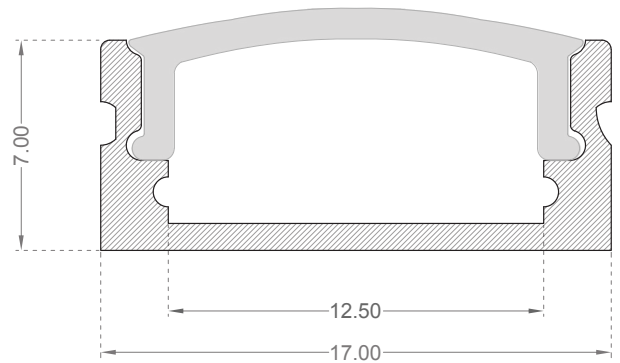


## LED Strip Mounting Profile

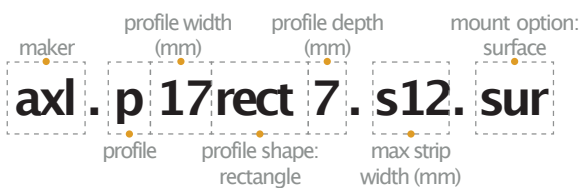
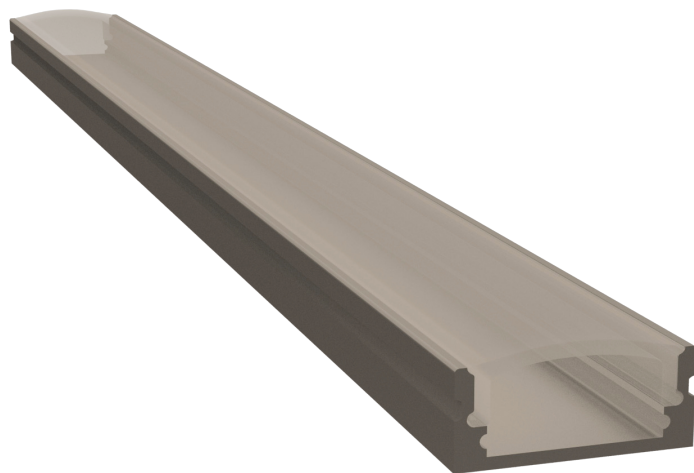
### Shallow Surface V01

#### Features

- 17mm rectangle section, 7mm deep
- Mount Options: #Surface
- Diffuser Options: #Opal #Clear
- Available lengths: 1m, 2m
- Aluminium profile with snap-fit diffuser. Designed for mounting LED strip up to 12mm width.
- Channels on the sides of the profile allow you to clip the profile into metal clips.
- Plastic end caps come in pairs. One having a hole for the wires to pass through.

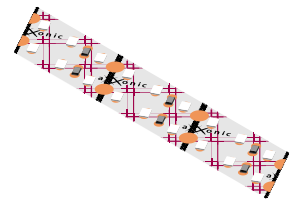


#### Technical

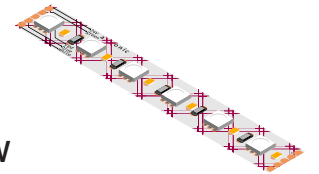


#### Recommended LED

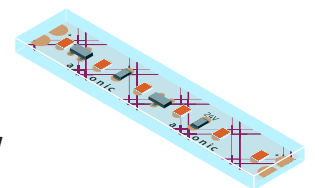
axl.fs12.dr300w-14W



axl.fs12.144rgbw-11W



axl.fs10.132w.ic-10W



Note: Please quote the full product code while placing the order.