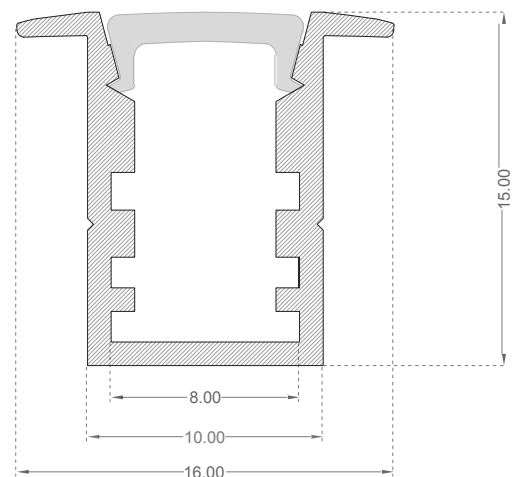


LED Strip Mounting Profile

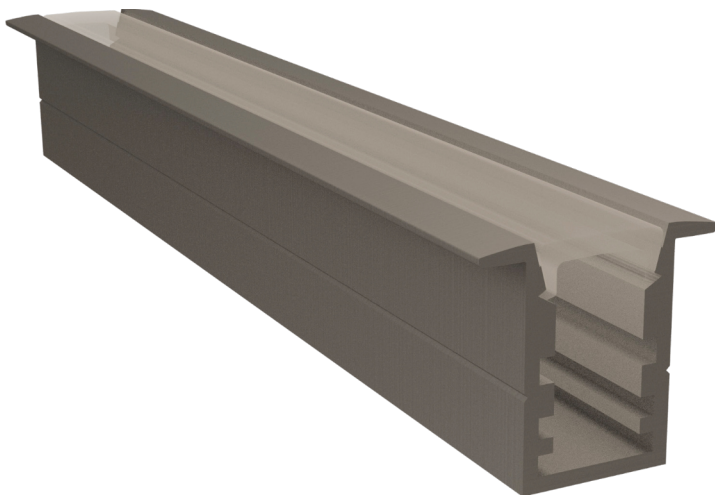
Mini Deep Recess

Features

- 10mm rectangle section, 15mm deep
- Mount Options: #Surface #Recess
- Diffuser Options: #Opal #Clear
- Available lengths: 1m, 2m
- Aluminium profile with snap-fit diffuser. Designed for mounting LED strip up to 6mm width.
- Channels on the sides of the profile allow you to clip the profile into metal clips.
- Plastic end caps come in pairs. One having a hole for the wires to pass through.

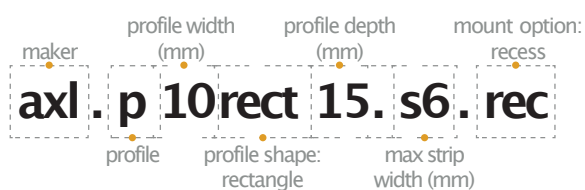
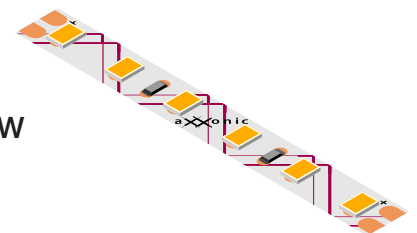


Technical



Recommended LED

axl.fs4.180w-6W



Note: Please quote the full product code while placing the order.