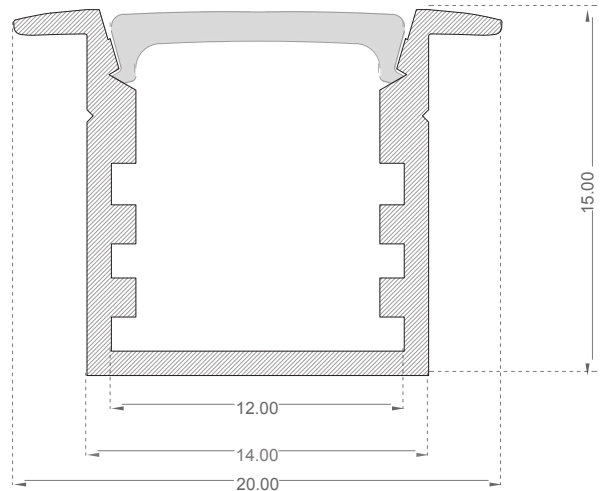


LED Strip Mounting Profile

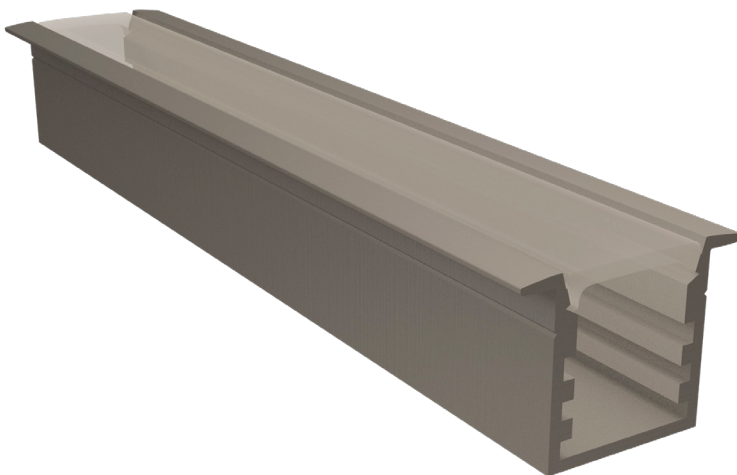
Deep Recess

Features

- 14mm rectangle section, 15mm deep
- Mount Options: #Surface #Recess
- Diffuser Options: #Opal #Clear
- Available lengths: 1m, 2m
- Aluminium profile with snap-fit diffuser. Designed for mounting LED strip up to 10mm width.
- Channels on the sides of the profile allow you to clip the profile into metal clips.
- Plastic end caps come in pairs. One having a hole for the wires to pass through.



Technical



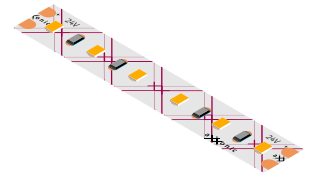
axl . p 14rect 15. s10. rec

maker profile width (mm) profile depth (mm) mount option: recess

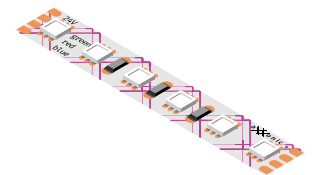
profile profile shape: rectangle max strip width (mm)

Recommended LED

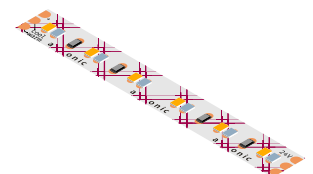
axl.fs8.120w-10W



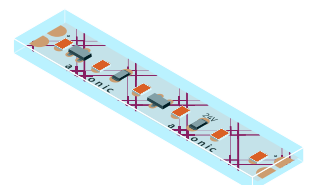
axl.fs8.120rgb-10W



axl.fs8.192ww-10W



axl.fs10.132w.ic-10W



Note: Please quote the full product code while placing the order.