

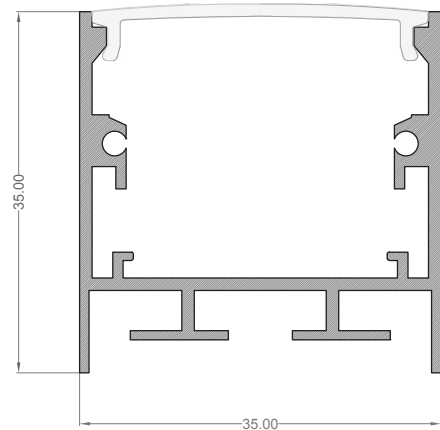
LED Strip Mounting Profile

3535 Linear LED System

Features

- 35mm square section, 35mm deep
- Mount Options: #Surface #Recess
- Diffuser Options: #Opal #Clear
- Available lengths: 1m, 2m
- Aluminium profile with snap-fit diffuser. Designed for mounting LED strip up to 26mm width.
- Channels on the sides of the profile allow you to clip the profile into metal clips.
- Aluminium end caps come in pairs. One having a hole for the wires to pass through.
- Totally customisable depending on your requirements.

We design the system in accordance with your needs then build these luminaires to order.



Technical



maker: axl. profile: p. profile width (mm): 35. profile depth (mm): 35. profile shape: square.

Note: Please quote the full product code while placing the order.