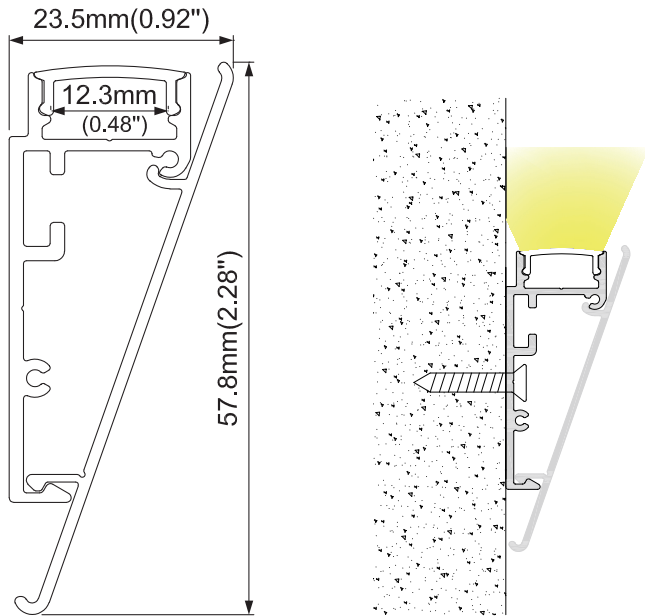


P58x23.SUR

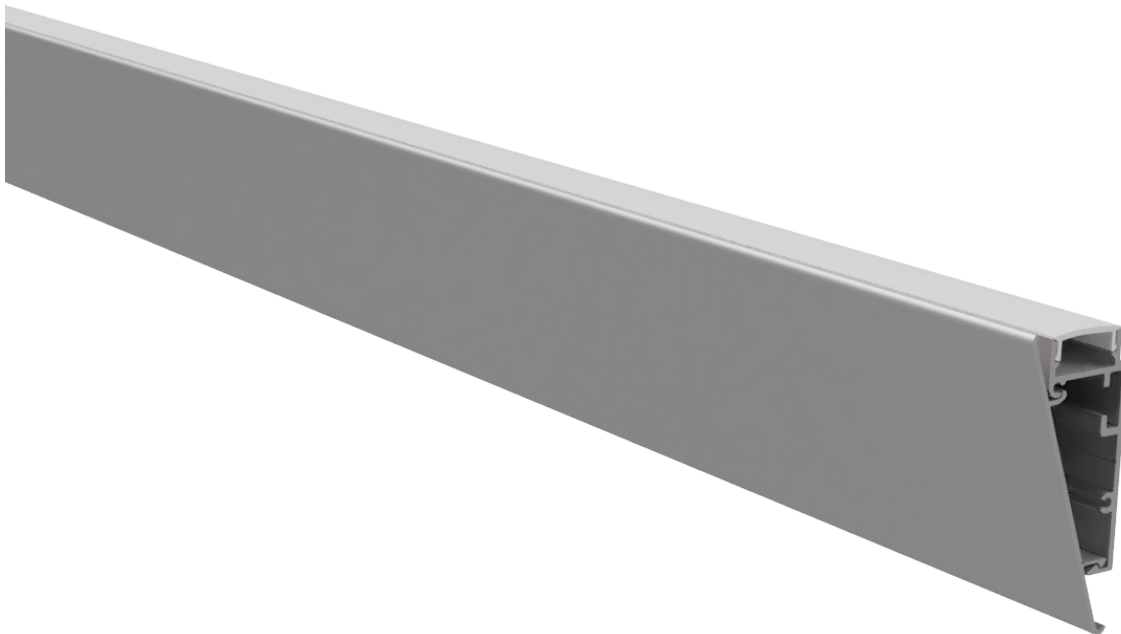
Wall Surface Mod



Features

- Mount Options: #Surface
- Diffuser Options: #Opal #Clear
- Available lengths: up to 3m
- Aluminium profile with snap-fit diffuser. Designed for mounting LED strip up to 12 mm width.
- End caps come in pairs.

Technical



Note: Please quote the full product code while placing the order.